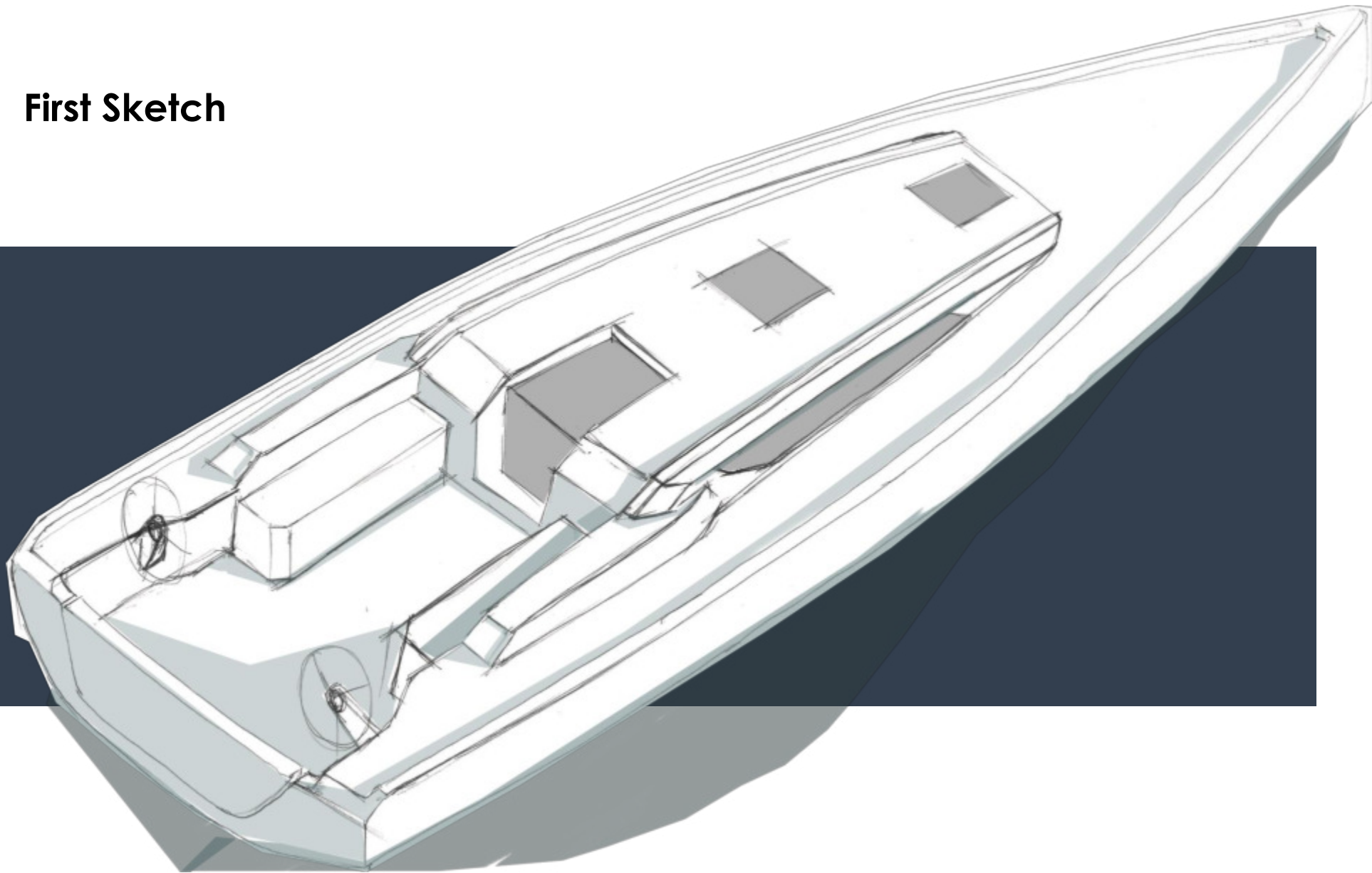


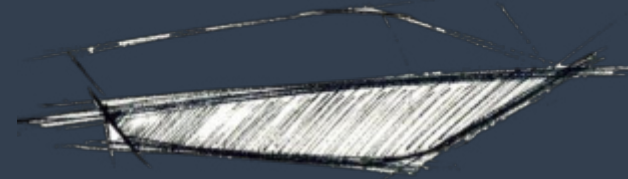
VIKO YACHTS
— EST 1987 —

STRATOS 43

First Sketch



References and design improvements

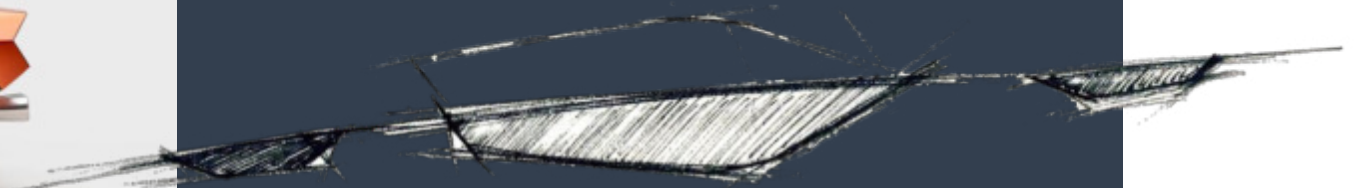


Lancia Stratos Zero

References and design improvements



Lancia Stratos Zero



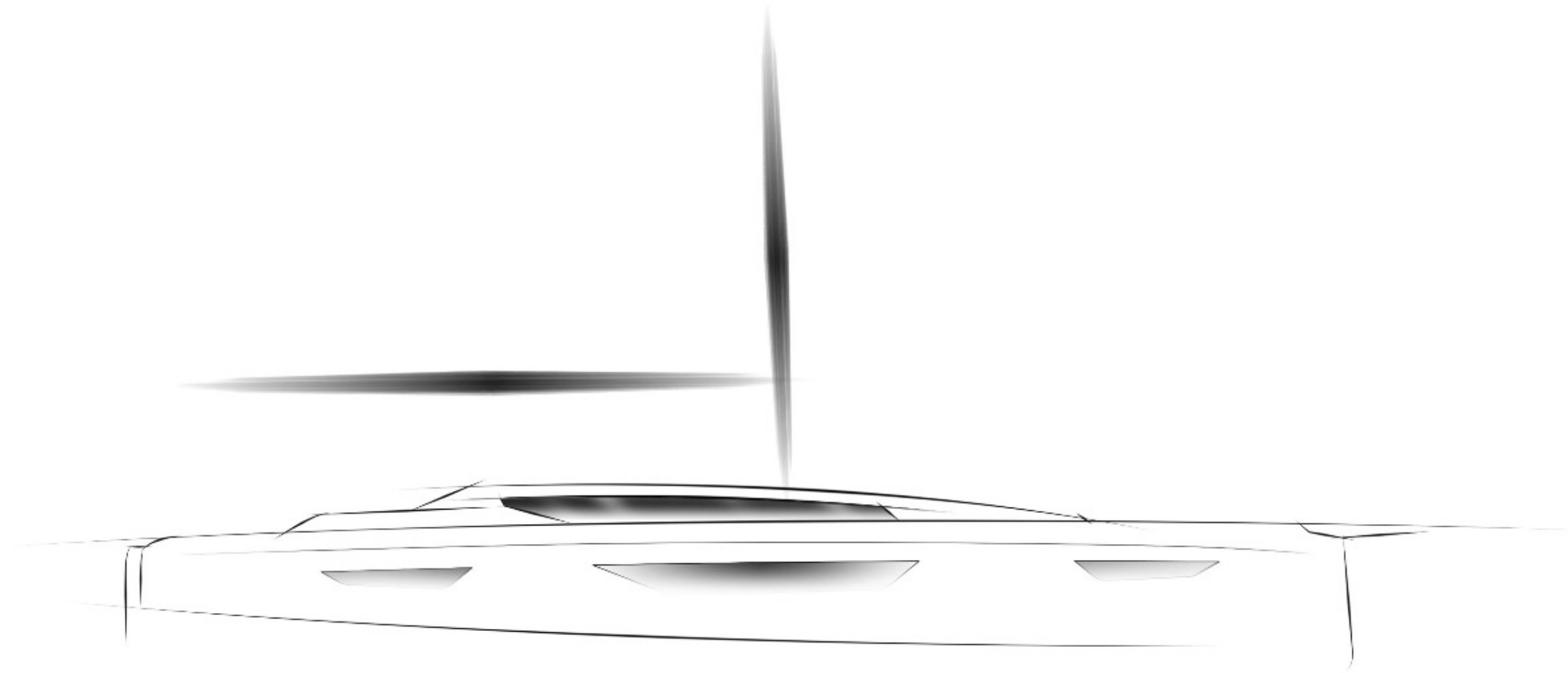
Hull windows

References and design improvements

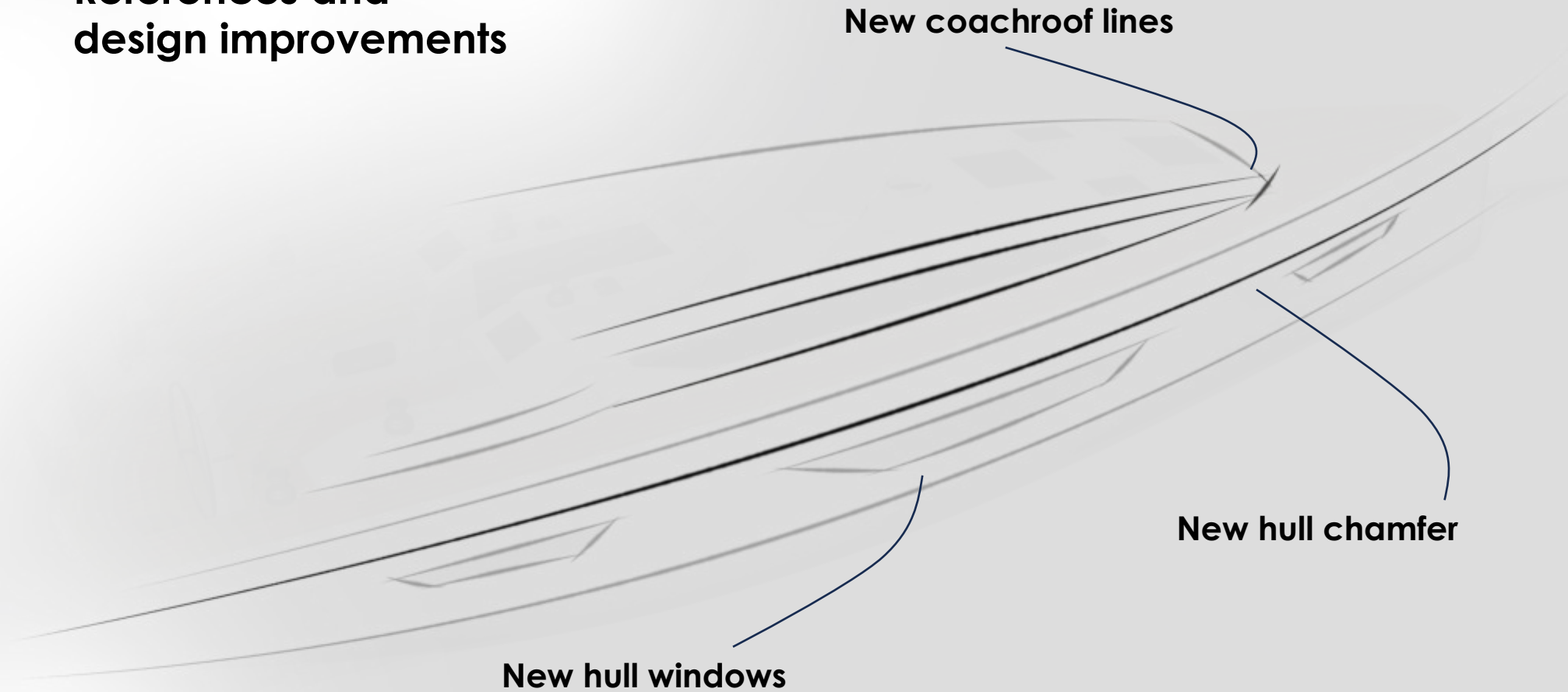


Lancia Stratos Zero

New hull chamfer



References and design improvements



















SAILPLAN

P 15,30 m

E 5,310 m

lg 16,25 m

J 5,10 m

Mast pos.

45,0% Lh

BowSprit 0,60-

1,40 m Isp 17,15

m

Main 45,6 m²

Hb 100% / OT

PROJECT (PRELIMINARY) DATA

LOA 12,600

m

LH 11,990

m

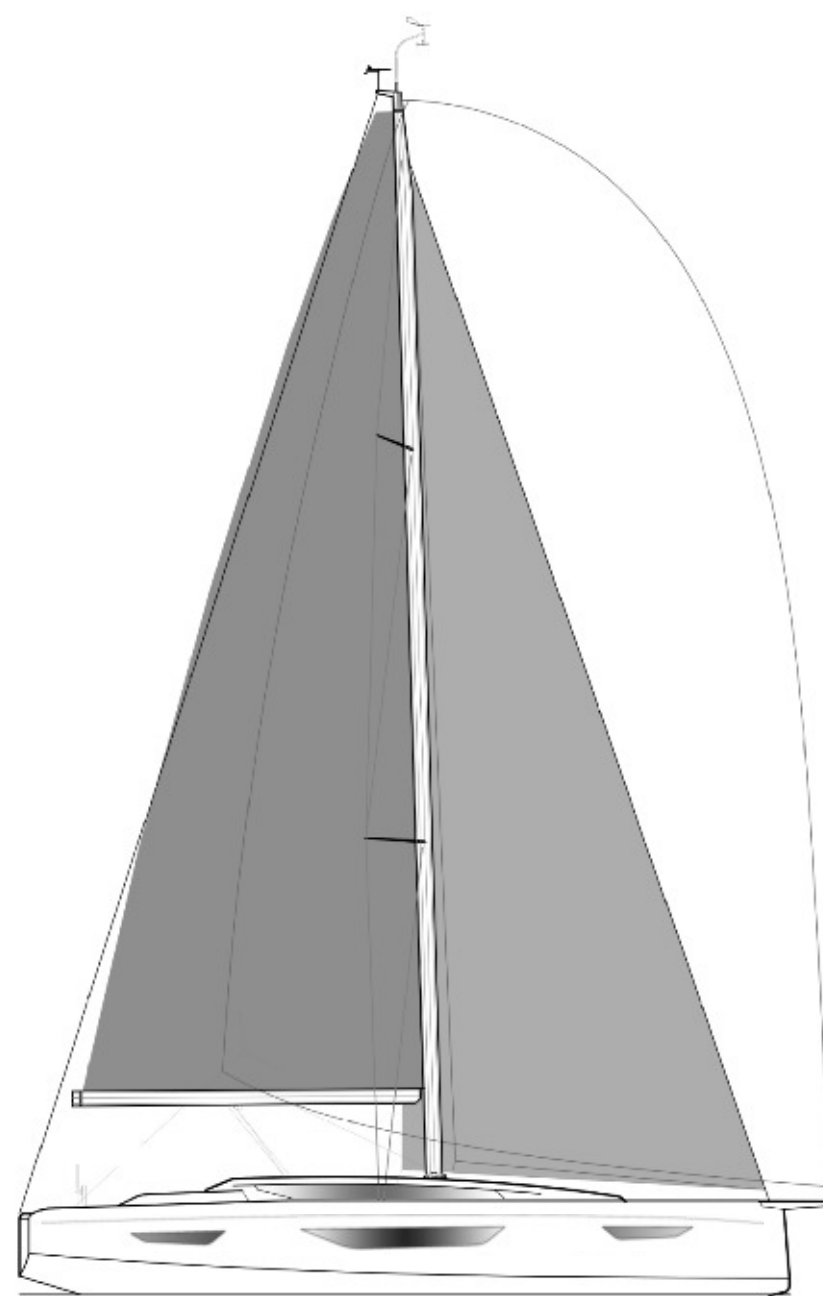
B Max 4,15

m DSPL

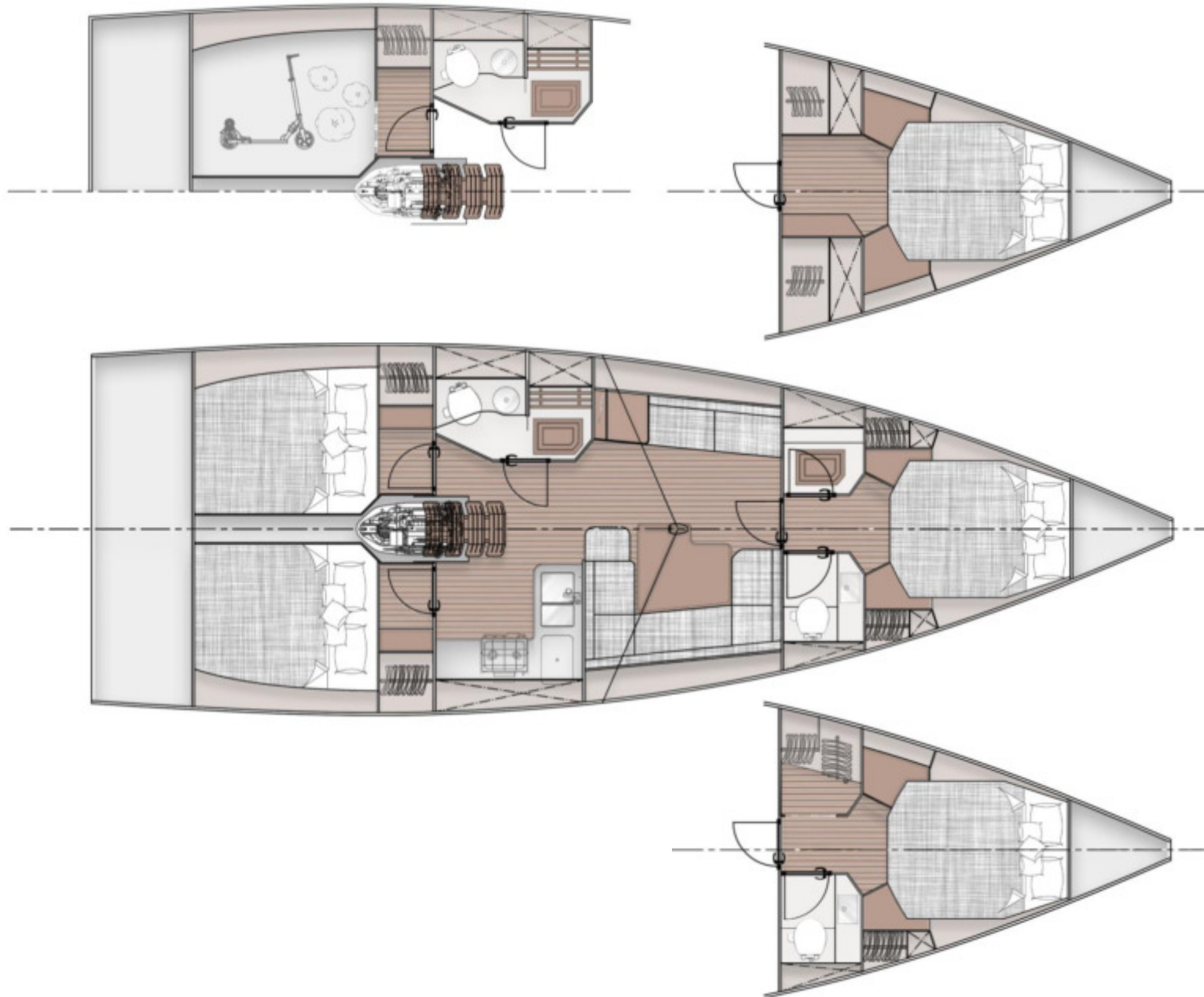
8300 kg

Draft 2,20-

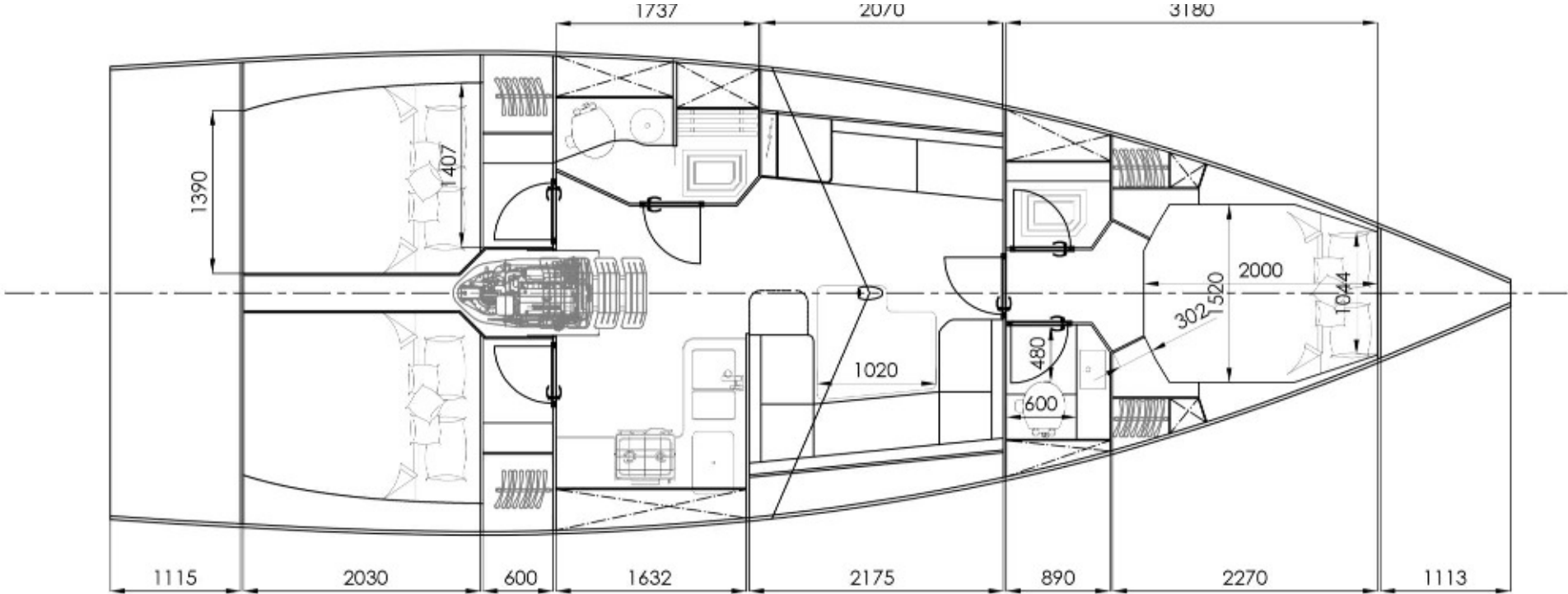
1,70 m

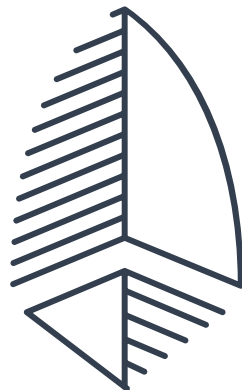


Layout Options



Layout Dimensions





VIKO YACHTS

— EST 1987 —



COSSUTTI YACHT DESIGN
COSSUTTI & GANZ PARTNERS

C&G Consulting Srl

Via Rialto 17 33100
Udine (UD) Italia

www.cossutti.it